

## 3-way ball valve stainless steel L - T borehole PN 63



**Materials:**

Housing: Stainless steel 1.4408

Ball: Stainless steel 1.4408

Seal: PTFE (15% GF)

Handle: Stainless steel 1.4301

**Temperature range:**

-20°C to +200°C

**Switching position:**

Can be changed by moving the handle according to the table on page 2.

**Properties:**

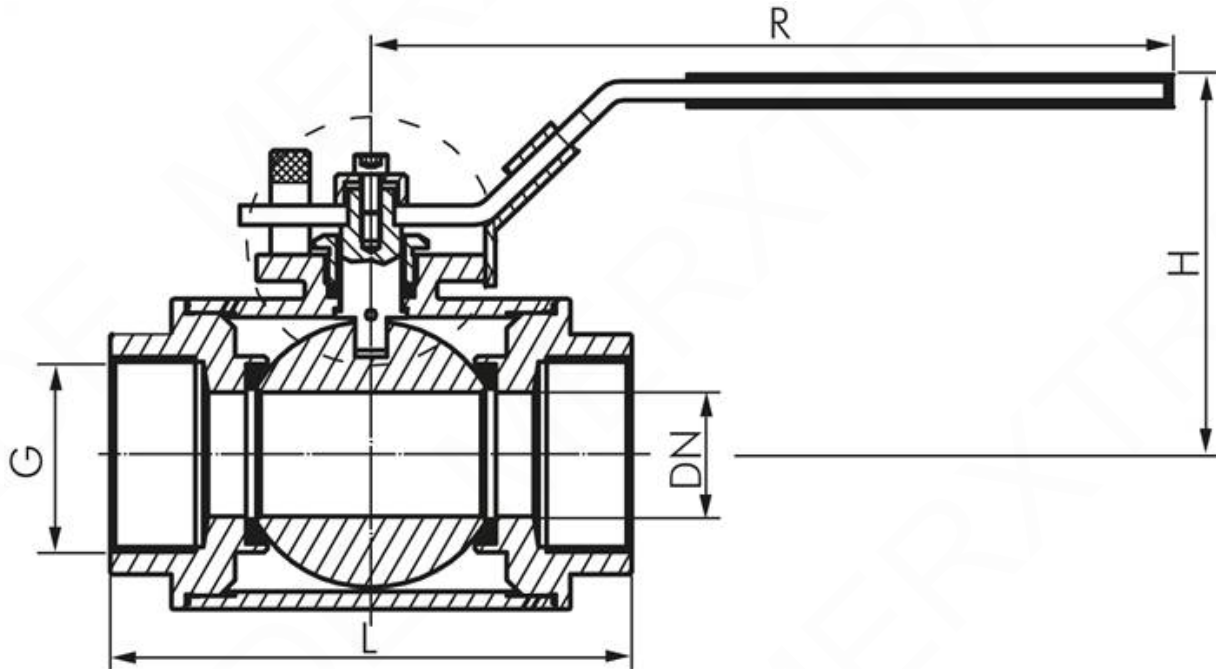
Pressure inlet is possible from all the three sides

**Media:**

Water, steam, oil, compressed air, fuels, solvents, aggressive media

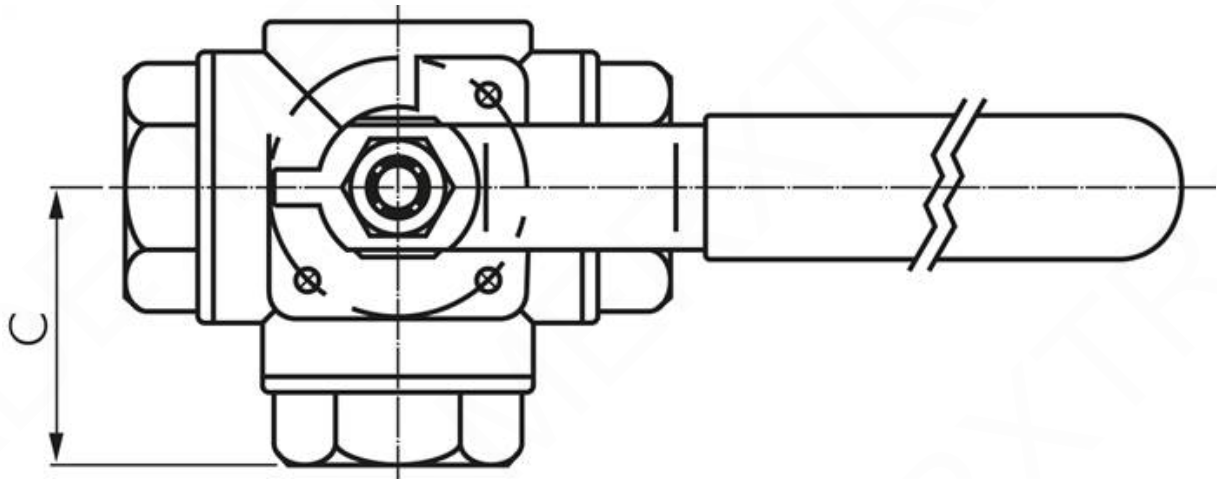
**Pressure:**

PN63



G	DN	L	H	R	C	ISO 5211
G 1/4"	11,6	76,0	67	150	37,3	F 04
G 3/8"	12,5	76,0	67	150	37,3	F 04
G 1/2"	12,5	76,0	67	150	37,3	F 04
G 3/4"	16,0	86,0	77	150	44,0	F 04
G 1"	20,0	99,1	83	180	49,0	F 05
G 1 1/4"	25,0	117,4	88	180	57,0	F 05
G 1 1/2"	32,0	123,8	116	243	61,3	F 07
G 2"	38,0	148,0	124	243	74,3	F 07

	Standard	L-bore	T-bore			
Position	pressed					
	Not pressed					
		L	T1	T2	T3	T4



**Diagramm 3 - PN 63**

